

# LED PUCK LIGHT SPECIFICATION

## UL008



### PRODUCT FEATURES:

MODEL : UL008

Input:

**DC  
12V**

Power:

**3  
Watts**

Trim Finish:

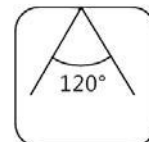
**White / Black / Brushed Nickel**

LED Chip:



CRI

Beam Angle:



Color Temperature:



Dim:

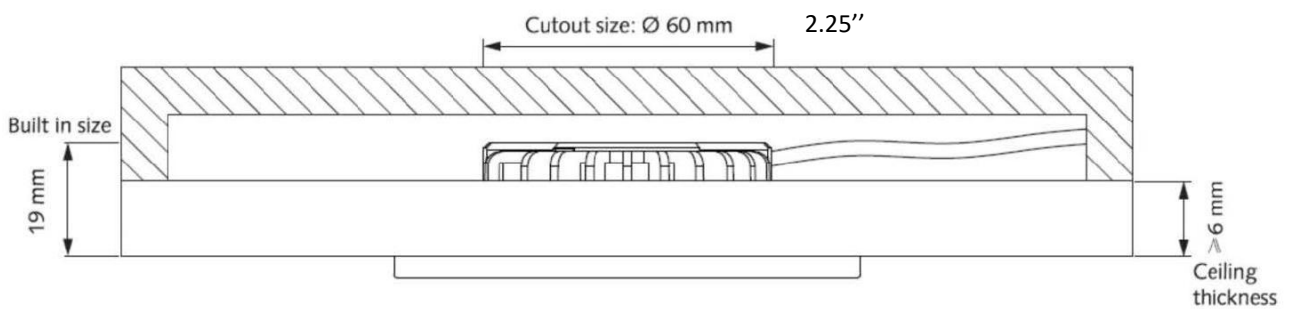
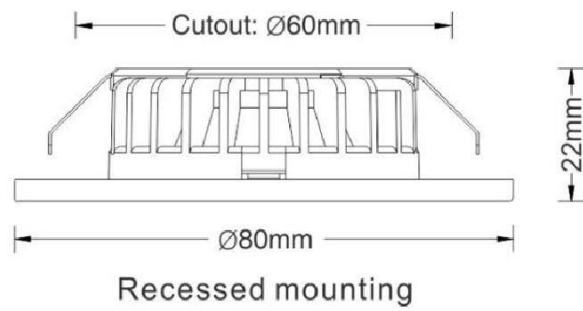


**Dimmable With PWM Dimmer**

### LUMEN OUTPUT:

LED CHIP BRAND	COLOR TEMPERATURE	LUMEN OUTPUT
<b>EPISTAR</b>	3000K	210LM
<b>EPISTAR</b>	4000K	225LM
<b>EPISTAR</b>	6000K	240LM

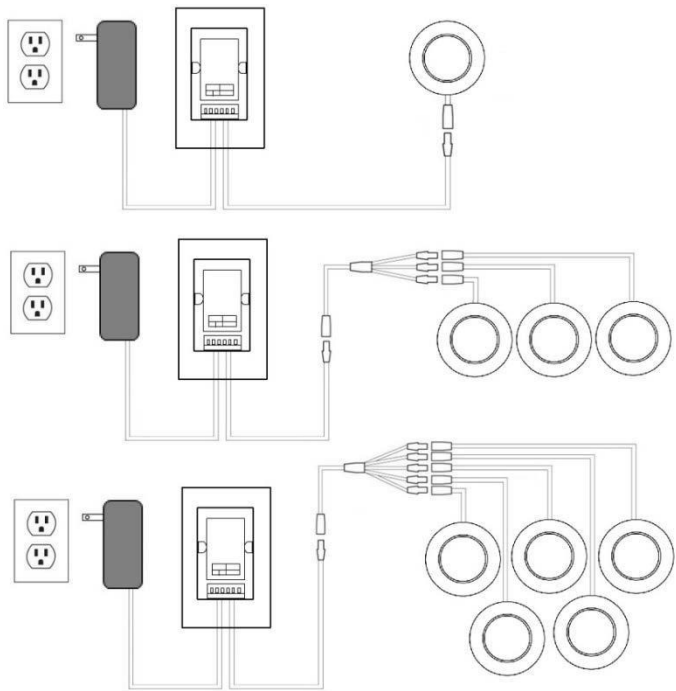
## Dimension:



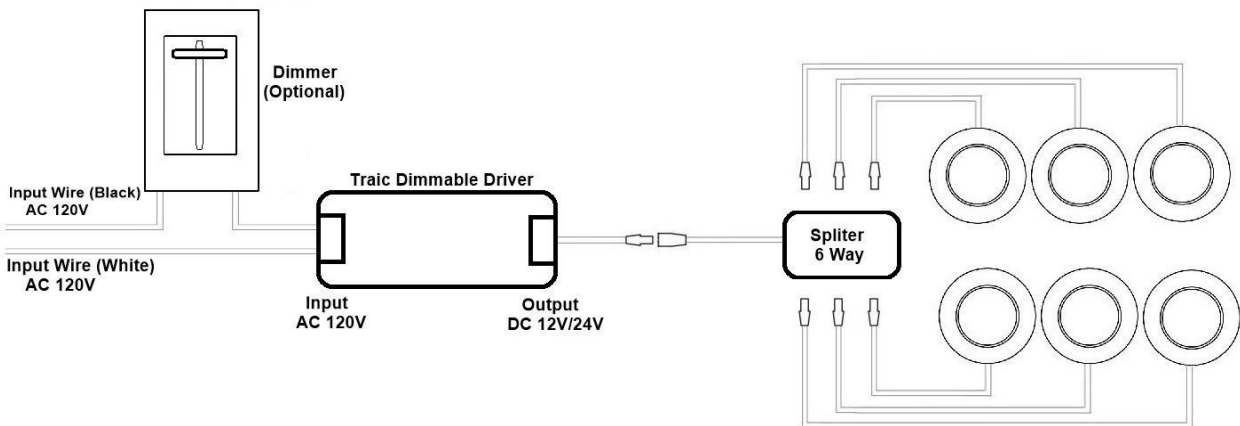
## Changeable trim:



## MM-UL008 can be dimmed by PWM LED dimmer



## MM-UL008 can be dimmed by triac dimmable driver



## PACKAGING DETAILS:

Net Weight:	0.07kg
Gross weight:	0.12kg
Inner box size:	8.5x8.5x4.5cm
Carton size:	45x35x25cm
Quantity per carton:	100pcs